

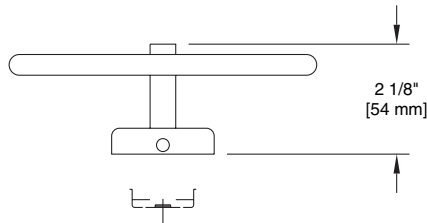
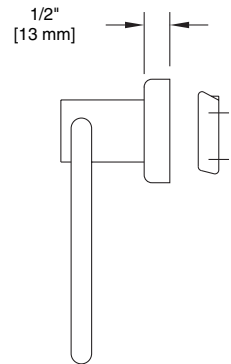
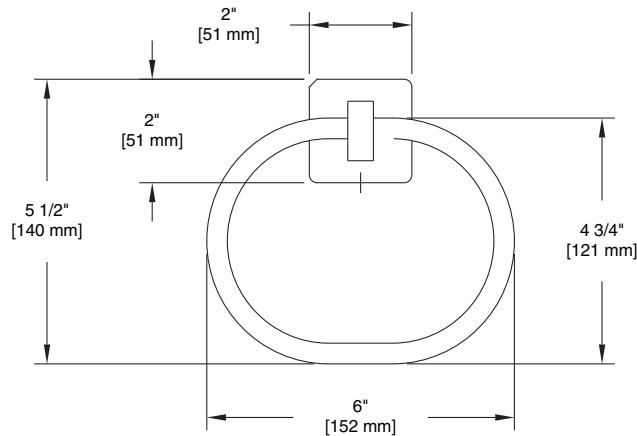
TECHNICAL DATA

LIBERTY HARDWARE®
MANUFACTURING CORPORATION

A Masco Company

140 Business Park Drive • Winston-Salem, NC 27107
800.542.3789 • T 336.769.4077 • F 336.769.1839
www.libertyhardware.com

CENTURY
Towel Ring



MATERIALS: Inner Wall Flange - 16 gauge type 304 stainless steel
Cover Wall Flange - 22 gauge type 304 stainless steel
Projecting Post - 22 gauge type 304 stainless steel
Ring - 20 gauge x 3/8" O.D. type 304 stainless steel tubing

All components welded construction with concealed screw attachment on 16 gauge stainless steel wall plate.

INSTALLATION: Mount wall plate on wall surface in vertical position with 2- #8 x 1 1/4" roundhead zinc plated steel screws provided. Slip wall flange/projecting post/ring assembly over wall plate and tighten set screw until secure. Wood blocking is preferable behind all wall surfaces. If wood blocking is not available, the following optional fasteners are suggested:

Tile/Masonry - Plastic or lead anchors
Plaster/Drywall - Toggle bolts

SPECIFICATION: Surface mounted towel ring shall be model _____ (fill in model number)
by Liberty Hardware Manufacturing Corporation.